

PILOT PEDAL DRIVE

INSTRUCTIONS

TABLE OF CONTENTS

1. INTRODUCTION	1
2. IMPORTANT SAFETY AND OPERATING INFORMATION	1
3. EQUIPMENT	2
3.1 Items Supplied	2
3.2 Tools Required	2
4. ASSEMBLY OF THE PEDAL DRIVE	3
4.1 Installing the Crank Arms to the Drive Unit	3
4.2 Installing the Pedals to the Crank Arms	4
5. INSTALLING THE PILOT PEDAL DRIVE TO YOUR KAYAK	4
6. CONNECTING THE RUDDER AND STEERING CONTROL LINES	5
6.1 Connecting the Rudder	5
6.2 Connecting the Steering Lines	5
7. OPERATING THE PILOT PEDAL DRIVE	6
7.1 Deploying the Pedal Drive	6
7.2 Raising the Pedal Drive	6
7.3 Removing the Pedal Drive from Kayak	6
7.4 Using the Steering Control	7
8. CARE INSTRUCTIONS	7
8.1 General Care Advice, Maintenance and Corrosion Protection	7
8.2 Rinsing the System	7
8.3 Lubrication	7
9. PILOT PEDAL DRIVE WARRANTY CONDITIONS	8
9.1 Warranty Process	8
9.2 Extent of Warranty	8
9.3 Limitations and Exclusions	8
10. PILOT KAYAK WARRANTY CONDITIONS	9

1. INTRODUCTION

Congratulations on your purchase of the Perception Pilot with Pedal Drive. For your safety and to ensure your highest level of enjoyment from the Pedal Drive it is imperative that you read and comply with this Owner's Manual prior to use.

The Pilot Pedal Drive is intended for use in the Perception Pescador Pilot series kayaks.

The Pilot Pedal Drive is state-of-the-art in terms of technology. It has been designed and manufactured with the utmost care and with a special focus on comfort, user-friendliness, and safety.

2. IMPORTANT SAFETY AND OPERATING INFORMATION

The Pilot Pedal Drive is designed to operate safely and reliably as long as it is used according to the Owner's Manual.

Please read this manual carefully before you start to use the Pedal Drive. Ignoring the instructions can result in damage or personal injury. Confluence Outdoor accepts no liability for any damage caused by actions that contradict this Owner's Manual.

- Remove system from kayak when transporting kayak
- Keep hands clear of scupper area when deploying or raising drive
- Rinse the system with fresh water after use in brackish or salt water
- Be aware of your environment when operating the pedal drive
- Avoid collisions and impacts to the system
- Raise unit when launching and coming ashore
- Ensure the pedal drive is fully secured and locked into mounting brackets before operating
- Always take a paddle and PFD with you on board
- Never exceed a distance pedaling from which you are not willing to paddle back
- Do not exceed the capacity limits
- Do not operate the propeller if someone is in the water near the boat
- Inspect the unit often for damage. Do not use if damaged.
- Follow the recommended maintenance schedules.
- After use, always take the pedal drive out of the water.
- If a different propulsion method is used (towing the boat, sailing, use of motor), the pedal drive must be removed
- Follow local laws for the use of permissible mechanized means or registration of your kayak

In addition to these selected warnings, please comply with the complete operating manual.

3. EQUIPMENT

3.1 Items Supplied

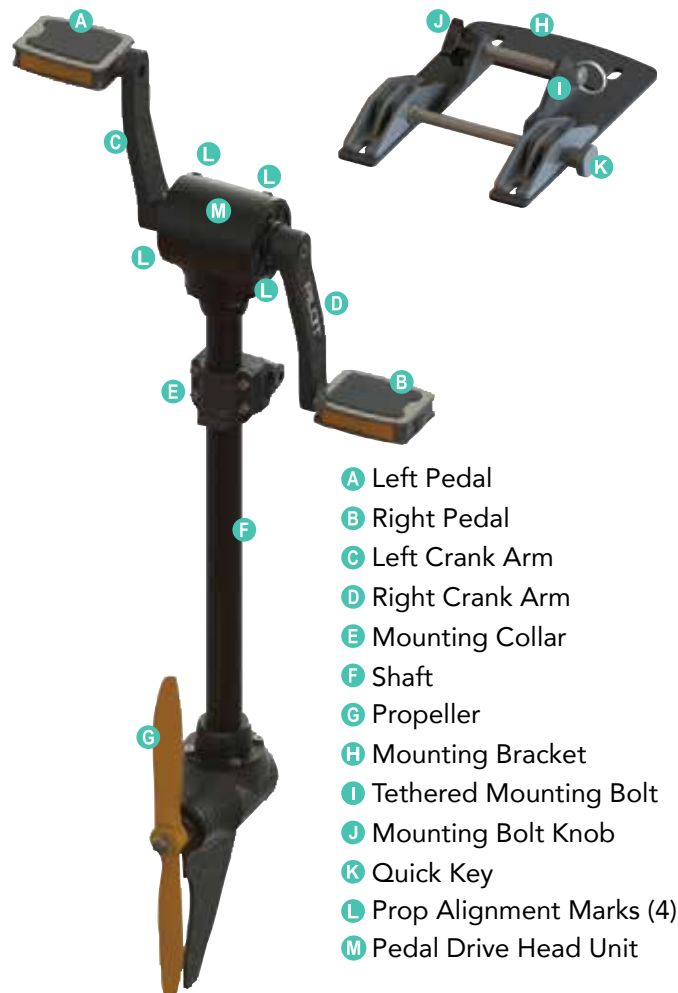
Your Pilot Pedal Drive package should include the following parts:

- Pilot Pedal Drive (1)
- Left and Right Crank Arm (1 ea.)
- Left and Right Pedal (1 ea.)
- Crank Arm Bolts (2)
- Quick Start Instructions (1)

3.2 Tools Required (not supplied)

- 8 mm Allen Wrench
- 15 mm Open End Wrench

NOTE: All direction references for left or right in these instructions are given from the perspective of being seated in the boat and looking forward towards the bow.



4. ASSEMBLY OF THE PEDAL DRIVE

4.1 Installing the Crank Arms to the Drive Unit

1. Place the Pilot Pedal Drive unit on a flat work surface with the propeller (G) side facing upwards.
2. Align the propeller (G) so that it is parallel with the shaft (F) of the pedal drive unit.



3. Locate the right crank arm (D) marked with an "R" on the back side of the crank arm.
4. Place the right crank arm (D) spindle over the right crank arm shaft of the pedal drive head unit (M).
5. The crank arm (D) should be parallel with the propeller (G) and the shaft (F) of the drive unit.



6. Use an 8 mm Allen wrench to tighten the crank arm (D) to the system with a crank arm bolt (not shown).
7. Repeat process with the left crank arm (C).



NOTE: It is imperative the propeller (G) and the crank arms (C, D) are aligned properly during assembly for the drive unit to be removed from the kayak using the prop alignment marks (L) on the drive unit head (M).

4.2 Installing the Pedals to the Crank Arms

1. Locate the right pedal (B) identified by an "R" on the face of pedal.
2. Thread the right pedal mount (B) into the right crank arm (D).
3. Use a 15 mm open end wrench to tighten the pedal (B) to the crank arm (D). Hold the opposite crank arm (C) in place to generate resistance.
4. Repeat process with the left pedal (A)(reverse threading).



5. The Pilot Pedal Drive is now assembled.



5. INSTALLING THE PILOT PEDAL DRIVE TO YOUR KAYAK

1. Remove the tethered mount bolt (I) from the mounting bracket (H).
2. Leave the quick key (K) in the closed position so that it is bridging the mounting bracket (H).



3. Align the propeller (G) so that it is parallel with the shaft (F) of the pedal drive unit.
4. Holding the pedal drive at an angle lower the propeller end into the kayak scupper.



- Align the mounting bracket (H) receiver hole (I) with upper collar (E) receiver hole and insert the mounting bolt (I). Secure the mounting bolt (I) with the threaded knob (J).



NOTE: Your Pilot Kayak includes a plastic scupper cover secured with bungees. Disengage the cover prior to installing your pedal drive. Reengage it during use of the kayak.

6. CONNECTING THE RUDDER AND STEERING CONTROL LINES

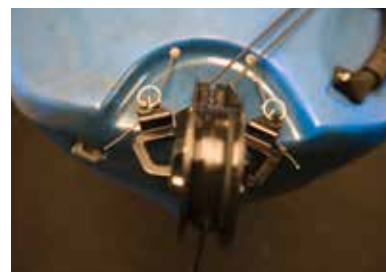
6.1 Connecting the Rudder

- Remove the rudder from storage and make sure the rudder control lift lines are untangled and running true.
- Stand at the stern transom of the kayak.
- Raise the rudder blade into a vertical position.
- Hold the rudder 180° from its normal position with the wings facing the bow of kayak and install the rudder pin down into the molded-in rudder receptacle and turn the rudder in a clock wise motion until it drops and locks in place.



6.2 Connecting the Steering Lines

- Locate the cord locks attached to the steering control lines at the stern. Remove the split rings and washer.
- Attach from the bottom of the corresponding rudder wing and re-secure at the top with the washer and split rings.



7. OPERATING THE PILOT PEDAL DRIVE

7.1 Deploying the Pedal Drive

1. Align the propeller (G) so that it is parallel with the shaft (F) of the pedal drive unit.
2. Retract the quick key (K) and lower the pedal drive through the turbo flaps of kayak until it is in the vertical deployed position.
3. Replace the quick key (K). You are now ready to pedal the unit.



CAUTION: Keep hands clear of the scupper when raising or lower the unit to avoid possible injuries.

NOTE: Ensure that your kayak is in a sufficient depth of water to accommodate the full depth of a deployed pedal drive (approx. 18”).

7.2 Raising the Pedal Drive

1. Align a crank arm (D) to a vertical position so that it is positioned between the prop alignment marks (L) on the pedal drives head unit (M).
2. Retract the quick key (K) and raise the pedal drive through the turbo flaps of kayak until it is in the stowed position.
3. Replace the quick key (K).



CAUTION: Always raise the unit to the stowed position when approaching the shore to avoid impacts to the unit.

TIP: Look through the scupper and Turbo Flaps to help visually align the propeller.

7.3 Removing the Pedal Drive from Kayak

1. Retract the quick key (K).
2. Remove the tethered mounting bolt (I) and lift the unit from the mounting bracket (H).

CAUTION: Remove system from kayak when transporting kayak

7.4 Using the Steering Control

Control your rudder with the Steering Control located on the left side of the Pilot kayak. Rotate the steering handle to the left to control the kayak to the left or rotate the handle to the right to control the kayak to the right. Position the handle in the neutral middle position to steer straight.



8. CARE INSTRUCTIONS

8.1 General Care Advice, Maintenance and Corrosion Protection

Materials were chosen with a high level of corrosion-resistance. All of the materials used in the Pilot Pedal drive are classed as "seawater resistant", not "seawater-proof".

- After use you should always remove the pedal drive from the boat.
- After operation wash all components in fresh water, especially after use in brackish or salt water.

8.2 Rinsing the System

Perform a fresh water low pressure rinse on the entire system after use.

TIP: While you are rinsing your unit is a good time to thoroughly inspect the unit for damage.

8.3 Lubrication

Lubricate your Pedal Drive unit annually.

Remove the set screw from the lubrication port located at the right side of the drive unit head (M).

Using a Lincoln Manual Hand Pump (model 1142) inject 3-5 pumps of Mobil XHP 222 grease into the port. Re-install the set screw.

We recommend Lincoln Needle Nozzle model 5803.

9. PILOT PEDAL DRIVE WARRANTY

9.1 Warranty Process

Adhering to the following warranty process is a prerequisite to the satisfaction of any warranty claims.

To initiate a warranty claim please contact Perception customer service at (888) 525-2925. The customer service representative will guide you through the warranty claim process. Additional contact info can be located at the bottom of the owner's manual.

Before shipping any assumed defective items, it is imperative to coordinate the delivery with Perception customer service. We are unable to accept products which we have not been notified and will therefore refuse delivery.

Customer Service will supply direction on returning warranty claims.

9.2 Extent of Warranty

The warranty ends two (2) years from the date of purchase from an authorized Perception retailer. The right to claim under warranty expires 30 days after discovery of a fault. You must possess a valid sales receipt of purchase for a warranty to be eligible for processing.

Perception guarantees the final purchaser of Pilot Drive that the product is free from material and manufacturing faults during the period stated above. Perception will indemnify the final purchaser for any expense for the repair of a material or manufacturing defect. This indemnification obligation does not cover the incidental costs of a warranty claim or any other financial losses (e.g. costs for towing, telecommunications, food, accommodation, loss of earnings, loss of time etc.). Perception decides whether faulty parts are repaired or replaced. Distributors and dealers who repair Pilot pedal drives have no authority to make legally binding statements on behalf of Perception.

9.3 Limitations and Exclusions

PERCEPTION IS ENTITLED TO REFUSE A WARRANTY CLAIM IF:

- The warranty was not correctly submitted
- The user is not the original owner with proof of purchase
- The safety, operating and care instructions in the manual were not observed
- Previous maintenance or repairs were not undertaken by organizations authorized by Perception or parts that were not original spare parts were used unless the end user can prove that the use of such parts did not contribute to the development of the fault.
- The product was in any way altered or modified or parts and accessories were added that are not expressly permitted or recommended by Perception.
- As well as the rights arising from this warranty, the customer also has legal warranty claim rights arising from the purchase contract with the dealer that are not hampered by this warranty

THE WARRANTY ALSO DOES NOT COVER:

- Normal wear and tear and aging of product
- Damaged by extreme weather or environmental conditions
- Damaged while in possession of a freight carrier, a dealer, consumer, or any party other than Perception
- Damaged by accident, neglect, improper use or handling
- Damage caused by hitting submerged objects or launching or landing your kayak without retracting the pedal drive unit
- Kayaks that have been towed by power or sail boats
- Units sold as "demos" (units that have been used for commercial or rental purposes)

- Units determined to have been used for any activity other than an activity which is customary for the product
- Units that have been structurally or dimensionally altered or modified

This limited warranty excludes all other warranties, expressed or implied, including implied warranties of merchantability and fitness for a particular purpose, with regard to Perception. Some state, country, or provincial laws do not allow the exclusion of certain implied warranties, so the above exclusion may not apply to you.

This limited warranty excludes any incidental or consequential damages or expenses resulting from any defects. Confluence Outdoor aggregate liability shall be limited to an amount equal to Consumer's original purchase price paid for the defective product. Some state, country, or provincial laws do not allow the exclusion or limitation of incidental or consequential damages, so the above exclusion may not apply to you. To the extent any limitation or exclusion contained herein is contrary to any country, state, or provincial law, such limitation or exclusion shall be severable and all other terms herein shall remain in full force and effect and are valid and enforceable. This warranty gives you specific legal rights and you may also have other rights. For Consumers who are covered by state, country or provincial consumer protection laws or regulations, the benefits from this warranty are in addition to all rights conveyed by such consumer protection laws.

10. PILOT KAYAK WARRANTY CONDITIONS

Please visit <http://www.perceptionkayaks.com/us/warranty-registration-0> for information on your kayak warranty.